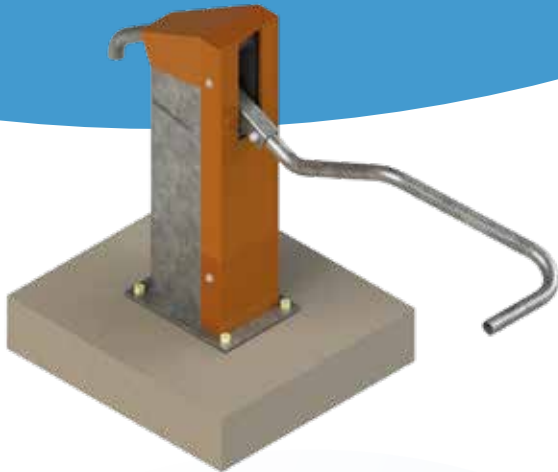


# Hydropump MPV60

THE ERGONOMIC HAND-LEVER PUMP FOR SHALLOW AND AVERAGE-DEPTH BOREHOLES AND WELLS

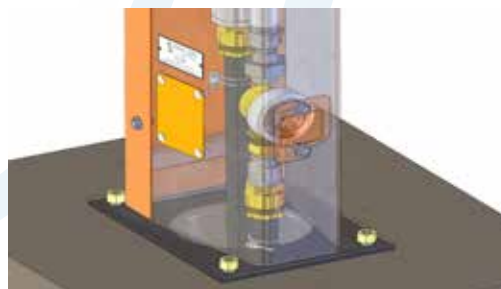
## The "new design" pump

A new, more ergonomic design for an economical pump offering all the guarantees of VERGNET HYDRO know-how and high performance levels.



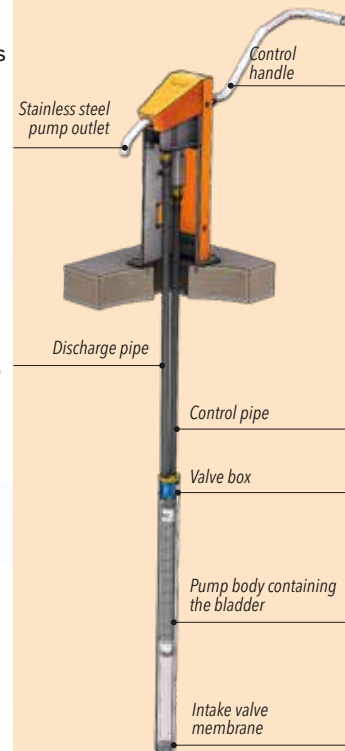
Installation possible in a non-vertical borehole

- 🔥 The MPV60, thanks to the modern and exclusive design of its hand lever, guarantees incomparable pumping ease.
- 🔥 The hydraulic control is a tried-and-tested technology in use on more than 110,000 water points since 1975.
- 🔥 The MPV60 complies entirely with the VLOM (Village Level Operation and Maintenance) criteria.
- 🔥 The average maintenance cost for the MPV60 is the lowest on the market: €15-€30 per year. The After-Sales Service is guaranteed.
- 🔥 The MPV60 is totally resistant to corrosion through the use of rust-proof materials.
- 🔥 The MPV60 is easy to install and to service. All its wearing parts are located at ground surface level, are easy to access and replaceable using a single wrench delivered with the pump.
- 🔥 The small dimensions of the MPV60 make it possible to install a second electric, solar-powered, etc., pump on the same borehole.
- 🔥 Option :
  - Pump protection with an anti-theft/anti-use system.
  - Discharge into a tank.
  - Other possible fountains:
    - Foot-operated pump (HPV60-2000)
    - Manual pump with the design of INDIA pumps (HYDRO INDIA 60)
  - Pump management incorporating water meter.
  - Possible customisation of the MPV60.



Optional meter

### KEY COMPONENTS



# MPV60 Hydropump

THE ERGONOMIC HAND-LEVER PUMP FOR SHALLOW AND AVERAGE-DEPTH BOREHOLES AND WELLS

## TECHNICAL SPECIFICATIONS

### PUMP TYPE

Hydraulic control - Manual pumping with lever arm  
Maximum installation depth: 60 meters

### FOUNTAIN

MINIMUM BORE DIAMETER  
For 1 pump: 4" For 2 pumps: 6"  
CONTROL CYLINDER (STAINLESS STEEL)  
Length: 200 mm - Inner diameter: 60.5 mm  
WEIGHT : 40 kg

### PISTON ROD (STAINLESS STEEL)

Ø 20mm - Stroke of 89 mm

### PIPES

High density polyethylene (HDPE)  
Control and delivery pipes: Ø 32 mm × 3 mm; 0.3 kg for 1 linear metre (PE100 PN16)

### PUMP BODY (STAINLESS STEEL)

Length: 1360 mm  
Outer diameter: 94 mm - Weight: 10 kg

### BLADDER

Rubber - Length at rest: 747 mm

### VALVES

Polyurethane membrane and ball

### STRAINER AND FILTER

A stainless steel strainer at the foot of the pump  
A stainless steel filter in the valve box

## MAINTENANCE

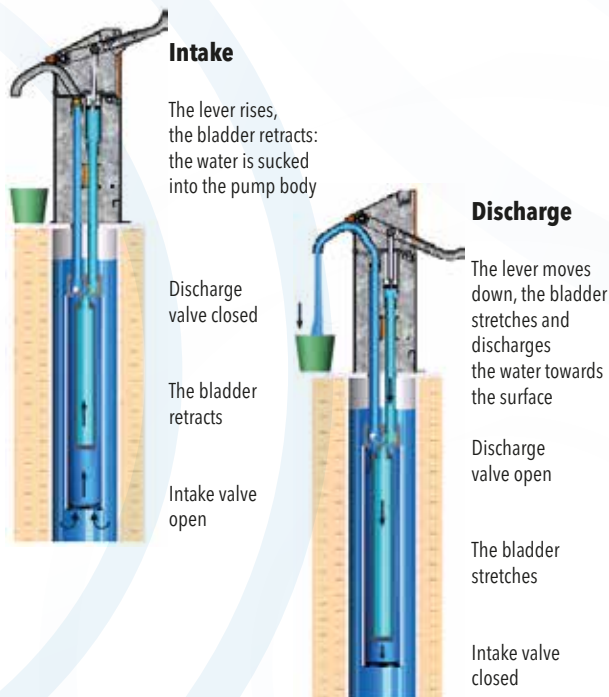
### PUMP AND OUTLET

With regular maintenance, the pump has a **service life in excess of 15 years** thanks to its corrosion-proof materials.

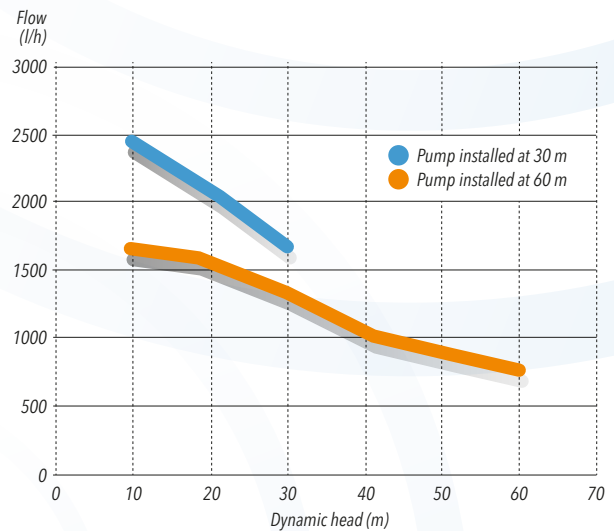
### BLADDER

Severe quality control tests make it possible to offer a **3-year warranty**.

## OPERATION



## PERFORMANCES



Certificate N° BV-OLN 494018/001 of 09/05/1994 - Bureau Veritas



[www.vergnet-hydro.com](http://www.vergnet-hydro.com)

Keep up with our news on:



**Vergnet Hydro**

Groupe Odial Solutions  
Odial Solutions Group

6 rue Lavoisier • 45140 Ingré • France



+33 (0)2 38 22 75 10

+33 (0)2 38 22 75 22

eau@vergnet-hydro.fr



5496

GPAO 2464B